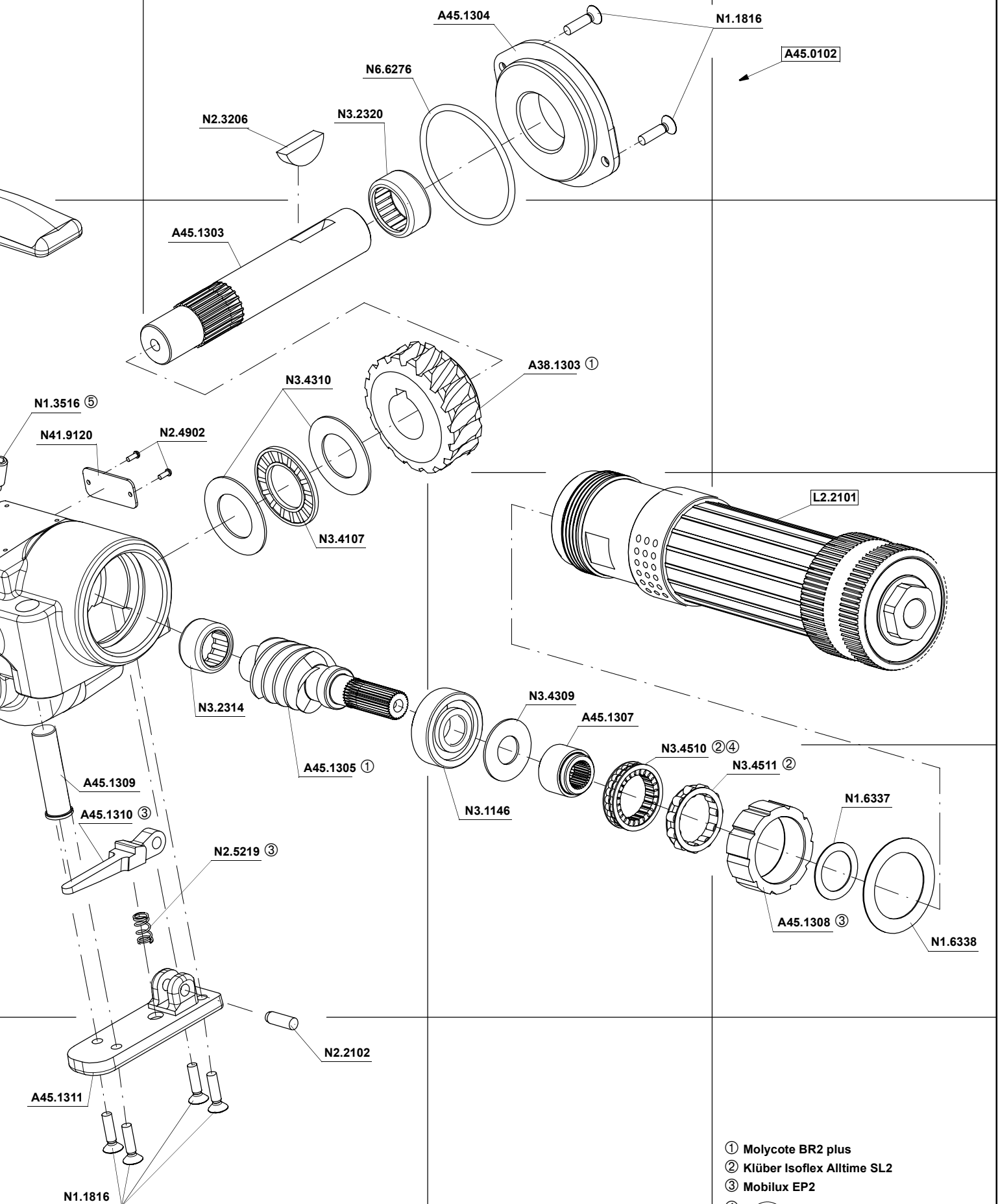


4

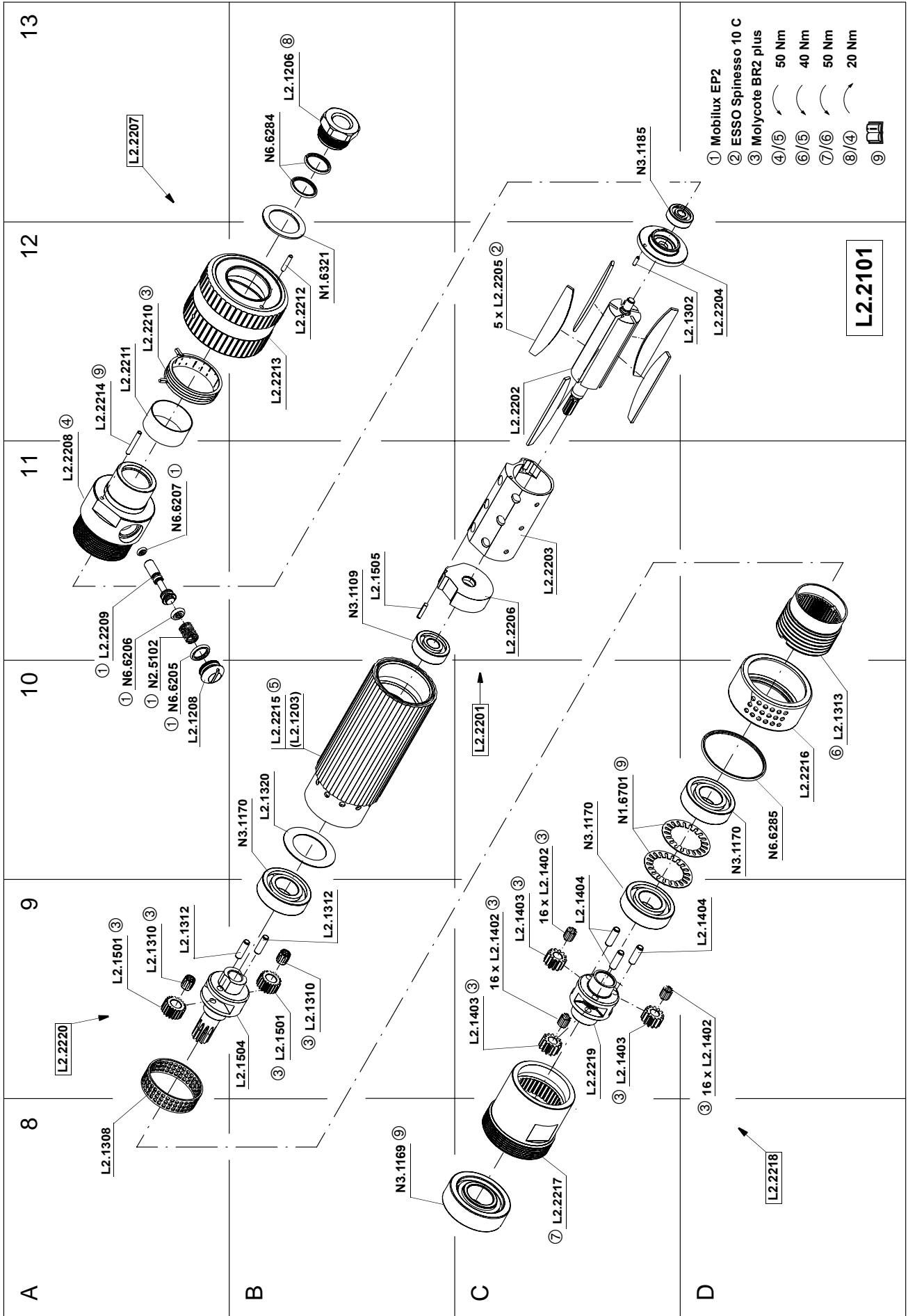
5

6

7



- ① Molycote BR2 plus
- ② Klüber Isoflex Alltime SL2
- ③ Mobilux EP2
- ④ Orientation
- ⑤ Loctite 222



## 8 SPARE PARTS LIST 13.4210.01

13.4210.01	A452/19-32/0.63-1.27/8.5		A452.0001.01		20.04.00	
Item-No.		in group	Pcs.	Description	Dimension	Field
A38.1303	*		1	WORM WHEEL		B6
A38.3210			1	PIVOT PIN		D2
[A45.0101]			1	GEAR BODY		C3
[A45.0102]			1	END COVER		A7
[A45.0103]			1	END COVER		D1
[A45.1301]		A45.0101	1	GEAR BODY		D4
A45.1303			1	TENSION SHAFT		B5
A45.1304		A45.0102	1	END COVER		A6
A45.1305			1	WORM		D5
A45.1307			1	DRIVER		C6
A45.1308			1	RATCHET		D7
A45.1309			1	BUTTON		D4
A45.1310			1	PAWL		D4
A45.1311			1	COVER		E4
A45.1312	*		1	TENSIONING BODY		C2
A45.1313	*		1	SLIDE PLATE		E3
A45.1314	*		1	PAWL		C1
A45.1315			1	DOWEL		C1
A45.1316			1	COVER		C1
[A45.1317]		A45.0103	1	END COVER		D1
A45.1319			1	HANDLE		A4
A45.1320	*		1	TENSIONING WHEEL		D3
L2.1203		L2.2215	1	PLASTIC JACKET		B10
L2.1206		L2.2207	1	ADAPTOR		B13
L2.1208		L2.2207	1	SEALING SCREW		A10
L2.1302		L2.2201	1	PARALLEL PIN		D12
L2.1308		L2.2101	1	SILENCER		A8
L2.1310		L2.2220	2	NEEDLE CAGE		A9+
L2.1312		L2.2220	2	SHAFT		A9+
L2.1313		L2.2101	1	BEARING RING		D10
L2.1320		L2.2101	1	WASHER		B10
L2.1402		L2.2218	48	BEARING NEEDLE		C9+
L2.1403		L2.2218	3	GEAR WHEEL		C9
L2.1404		L2.2218	3	SHAFT		C9+
L2.1501		L2.2220	2	GEAR WHEEL		A9+
L2.1504		L2.2220	1	PLANET SHAFT		B9
L2.1505		L2.2201	1	KEY		B11
[L2.2101]			1	AIR MOTOR		C7+
[L2.2201]		L2.2101	1	MOTOR CELL		C10
L2.2202		L2.2201	1	ROTOR		C12
L2.2203		L2.2201	1	CYLINDER		C11
L2.2204		L2.2201	1	END PLATE		D12
L2.2205	*	L2.2201	5	VANE		C12
L2.2206		L2.2201	1	END PLATE		C11
[L2.2207]		L2.2101	1	VALVE HEAD		A13
L2.2208		L2.2207	1	VALVE BODY		A11
L2.2209		L2.2207	1	VALVE PISTON		A11
L2.2210		L2.2207	1	TORSION SPRING		A12
L2.2211		L2.2207	1	DOWEL		A12
L2.2212		L2.2207	1	PARALLEL PIN	2.5 X 12	B12
L2.2213		L2.2207	1	SWITCH RING		B12
L2.2214		L2.2207	1	BEARING NEEDLE	2.5 X 17.8	A12

[ ] = Group

\* = Wearing parts

13.4210.01	A452/19-32/0.63-1.27/8.5		A452.0001.01		20.04.00	
Item-No.		in group	Pcs.	Description	Dimension	Field
[L2.2215]		L2.2101	1	HOUSING		B10
L2.2216		L2.2101	1	EXHAUST RING		D10
L2.2217		L2.2101	1	BEARING RING		C8
[L2.2218]		L2.2101	1	IDLER STEP		D8
L2.2219		L2.2218	1	PLANET SHAFT		C9
[L2.2220]		L2.2101	1	IDLER STEP		A9
N1.1103			1	SCREW	M8 X 25	B3
N1.1113			4	SCREW	M5 X 20	A3+
N1.1583			1	HEXAGON SCREW	M5 X 16	C2
N1.1816			8	SCREW	M4 X 16	A7+
N1.3421			1	SOCKET SET SCREW	M4 X 8	D3
N1.3516			1	SOCKET SET SCREW	M6 X 16	B4
N1.5924			1	RING NUT	M8	A3
N1.6221			1	SPRING LOCK WASHER	M8	B4
N1.6223			4	SPRING LOCK WASHER	M5	A3+
N1.6321		L2.2207	1	SPACER WASHER	20 X 28 X 1	B12
N1.6337			1	SPACER WASHER	17 X 24 X 0.5	D7
N1.6338			1	SPACER WASHER	28 X 40 X 0.5	D7
N1.6701		L2.2101	2	CUP SPRING		C10
N2.2102			1	PARALLEL PIN	5 m6 X 16	E5
N2.2126		A45.0103	1	PARALLEL PIN	5 m6 X 26	E1
N2.2451			1	DOWEL PIN	5 X 45 MM	C2
N2.3206			1	WOODRUFF KEY	6 X 9 X 21.63	A5
N2.4902			4	HAMMER HEAD BOLT	1.85 X 4.76	B4+
N2.5102		L2.2207	1	PRESSURE SPRING	0.6 X 8 X 14/6	A10
N2.5219			1	PRESSURE SPRING	0,7X5,7X12/6	D5
N2.5826			1	TORSION SPRING	3.5/40.0	C3
N2.5827			1	TORSION SPRING	2.0/16.5	C1
N3.1109		L2.2201	1	BALL BEARING		B11
N3.1146			1	BALL BEARING		D6
N3.1169		L2.2101	1	BALL BEARING		B8
N3.1170		L2.2101	3	BALL BEARING		B10+
N3.1185		L2.2201	1	BALL BEARING		C13
N3.2314		A45.0101	1	NEEDLE CASE		C5
N3.2319		A45.0103	1	NEEDLE CASE		E2
N3.2320		A45.0102	1	NEEDLE CASE		A5
N3.2321		A45.0101	1	NEEDLE BUSH		D4
N3.2602		A45.0103	1	PACKING RING		E2
N3.2603		A45.0101	1	PACKING RING		D4
N3.4107			1	THRUST BEARING CAGE		C5
N3.4309			1	THRUST RACE		C6
N3.4310			2	THRUST RACE		B5
N3.4510			1	FREE-WHEELING		D6
N3.4511			1	ROLLER BEARING		D7
N41.9120			1	TYPE PLATE	<<A452>>	B4
N41.9128			1	ADHESIVE LABEL		B3
N41.9129			1	ADHESIVE LABEL		C4
N4.9159			1	LABEL	<<CE>>	B4
N6.6205		L2.2207	1	O-RING	9.2 X 1.78	A10
N6.6206		L2.2207	1	O-RING	4.3 X 2.4	A10
N6.6207		L2.2207	1	O-RING	3.1 X 1.6	A11
N6.6276		A45.0102	1	O-RING	48.9 X 2.62	A5
N6.6284		L2.2207	2	O-RING	14.1 X 1.6	B13
N6.6285		L2.2101	1	O-RING	39.4 X 1.6	D10

[ ] = Group

\* = Wearing parts